



C. Emery Nelson, Inc.

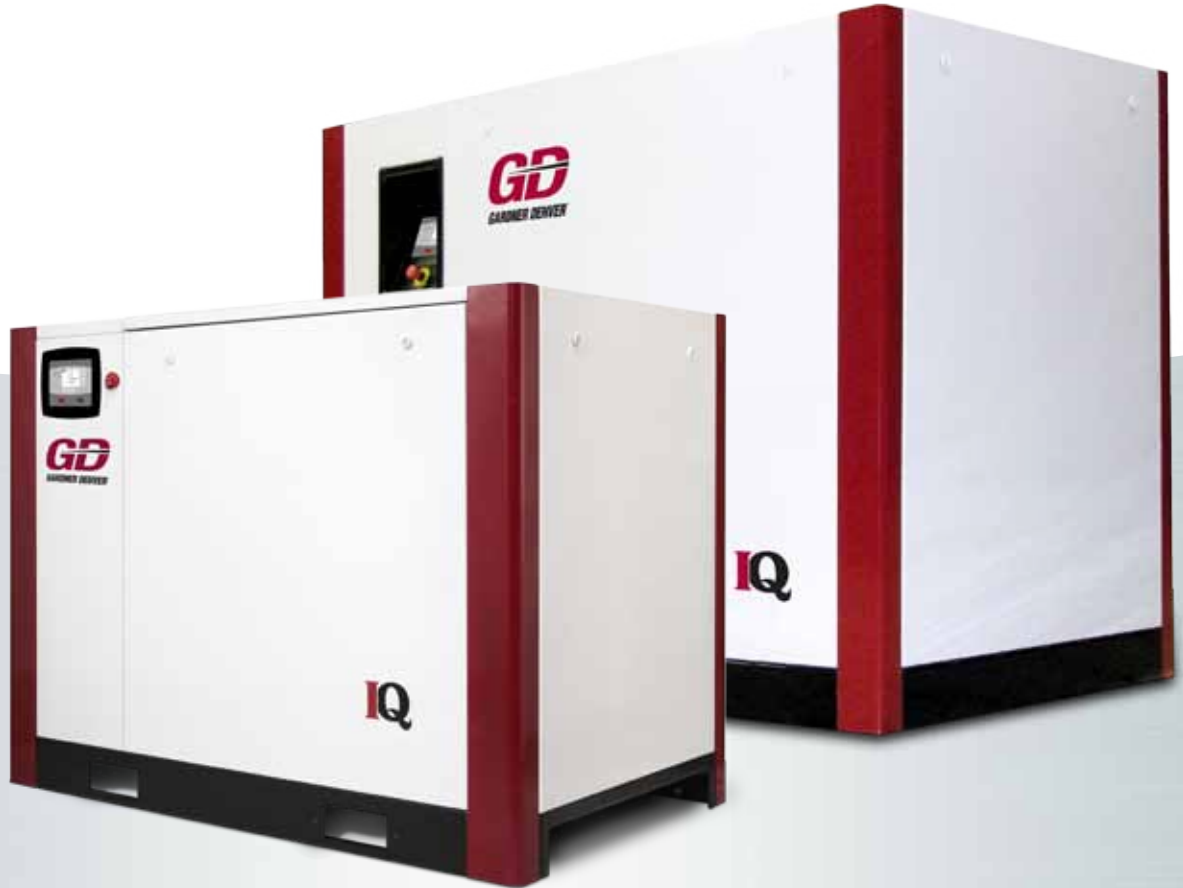
INDUSTRIAL AND POWER PLANT EQUIPMENT

7631 Commerce Street, Hamel, MN 55340

Ph: 763/ 420-3844 Fax: 763/420-2542

IQ

Positive Displacement Blower
& Vacuum Pump Packages



**WHAT CAN
IQ DO FOR
YOU?**

Smart made simple with total control at your fingertip

GD
GARDNER DENVER™

Experience Proven Results™

SMART Maintenance



Predictive Maintenance can reduce maintenance costs by up to 30 percent and downtime up to 45 percent.

The AirSmart controller uses customizable timers to track maintenance schedules and notify the operator when routine service is required.

The belt tensioner keeps the drive belt at the specified tension and indicates when it needs to be changed.



IQ&YOU

Maintenance

- Reduces Downtime
- Helps Reduce Maintenance Costs



With just the top open, the air filter, conduit box, and oil fill are easily accessible.



Once all panels are removed, all major components and maintenance items are within easy access.

SMART Operation



Integrated System Controls

- SCADA compatibility allows for system reporting & monitoring
- External drivers help keep operating costs down by matching blower performance to plant needs

You know what's happening even when you aren't there.

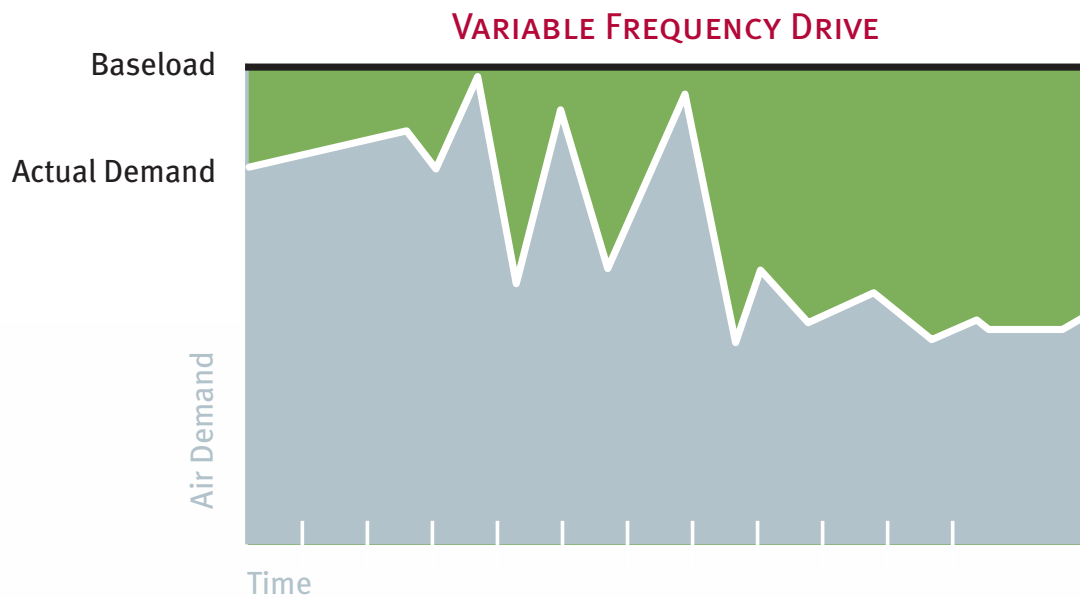
Sequencing

The AirSmart controller allows you to sequence up to eight blower packages.

- Can be process or timer operated
- Allows distribution of operating hours
- Reduces downtime for maintenance



Air when you need it... ...Savings when you don't



Take Charge

Using external drivers, such as a dissolved oxygen sensor or tank level sensor, the AirSmart controller can adjust to the application demand.

IQ&YOU

Operations Manager

- Reduced Operating Cost
- Reduced Downtime

SMART Design

Improved Belt Life

Smart base design extends belt life, prolonging bearing life in the blower.

Easy Installation

Rigid base design allows the IQ package to be placed on a level surface, with no need for special foundations.



Simple Connections

Electrical and pipework connections are all that need to be made to get the IQ package installed in the system.

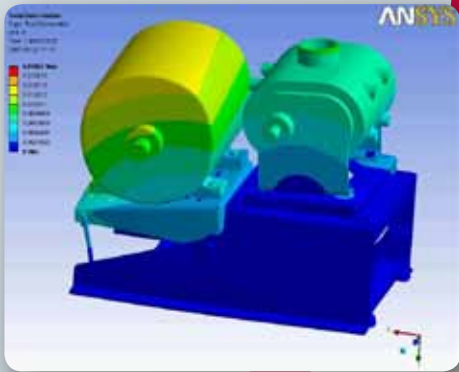


SMART

From The Ground Up!

“The easiest equipment installation we’ve ever had.”

– Plant Superintendent,
Municipal Wastewater Plant



Premium Vibration Isolators

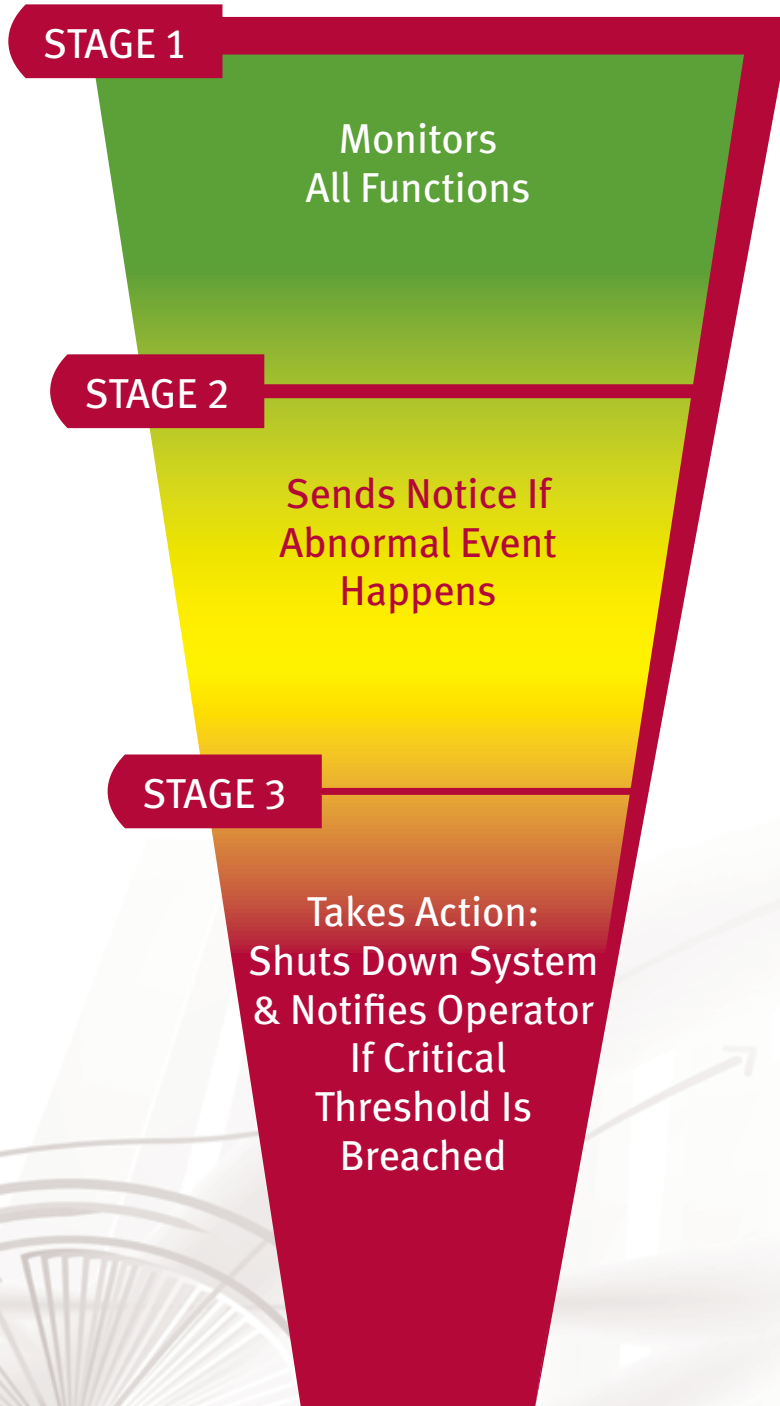
Reduce vibration, helping lower noise levels by up to 20 dBA



Simple Transit

Forkable slots on enclosure provide easy unloading, movement, and setting into place

3 Stages of Protection



It Never Sleeps



STAGE 1

What can a machine tell you about itself?

While operating, the AirSmart checks vital parameters 30 times per second and displays the current conditions.

Can it know when it needs help or when it doesn't?

When one or more preset thresholds is exceeded, the AirSmart controller displays an advisory notice.



STAGE 2

Can a machine seek help before it is broken?

When a critical parameter is exceeded, the AirSmart will shut the blower down.

- Prevents damage and keeps repair costs down
- Once shutdown occurs the AirSmart controller can send a notice to the operator
- Records advisory and shutdown history to allow for reporting, troubleshooting and repair

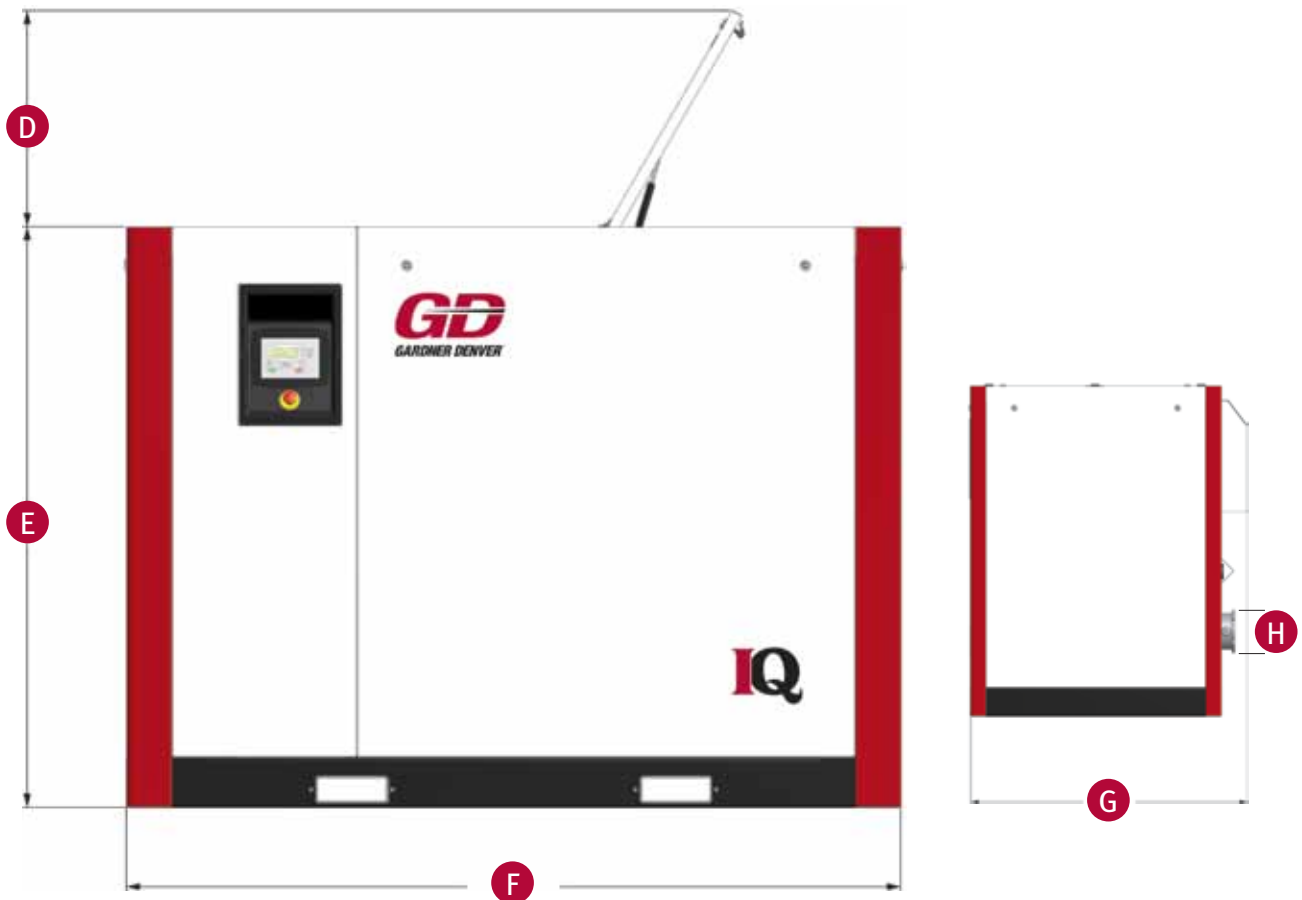
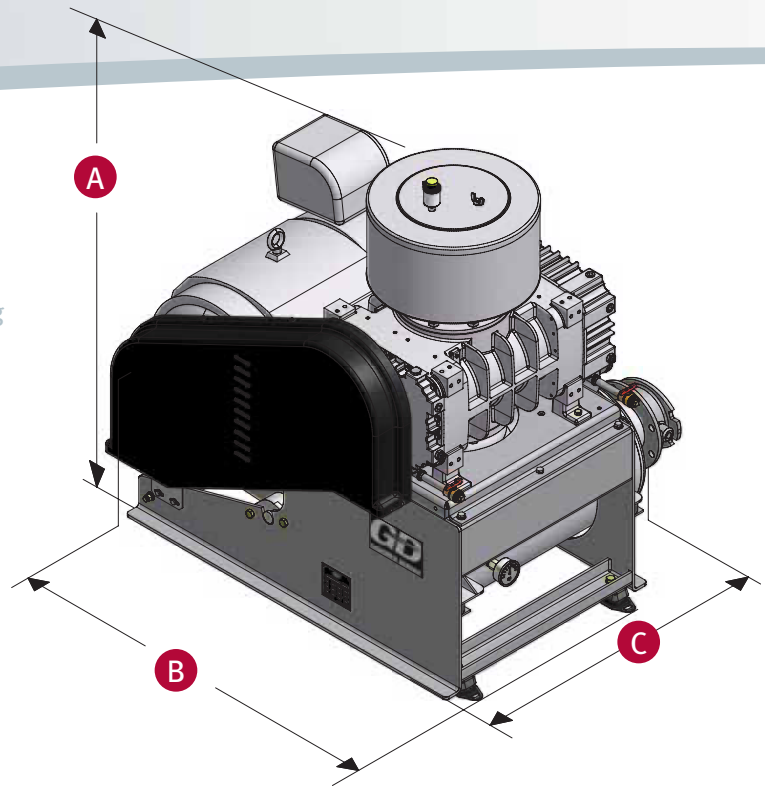


STAGE 3

By The Numbers

IQ Blower Package Delivers

- Pressure to 15 psig 1034 mbarg
- Vacuum to 16" Hg 542 mbar
- 200–1,500 icfm 2549 m³/h
- 7.5–100 hp 6–75 kW

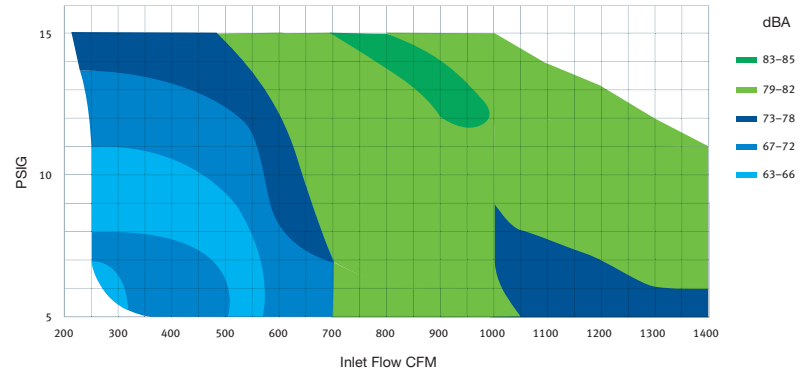
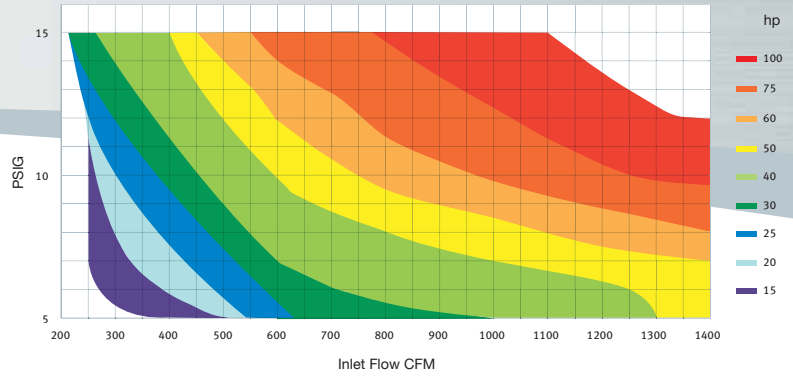


Performance & Sound

Performance based on inlet air at standard temperature of 68° F, an ambient pressure of 14.7 psia and 36% relative humidity. For performance at non-standard conditions, contact your authorized Gardner Denver representative.

Air and sound maps represent non-VFD IQ packages.

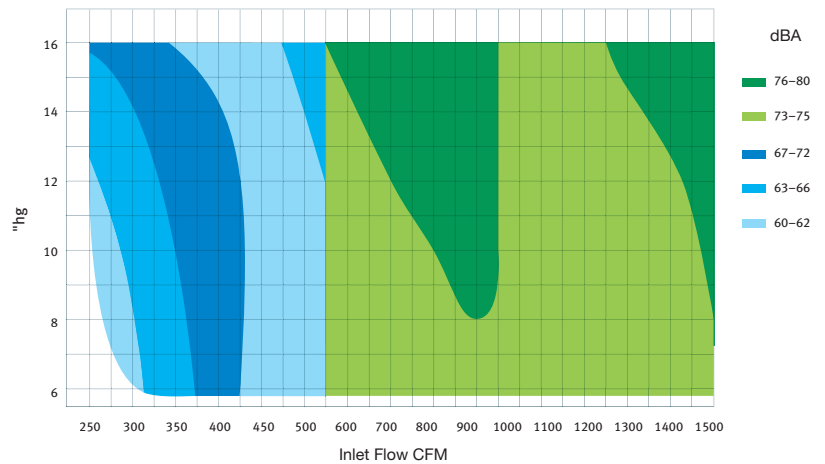
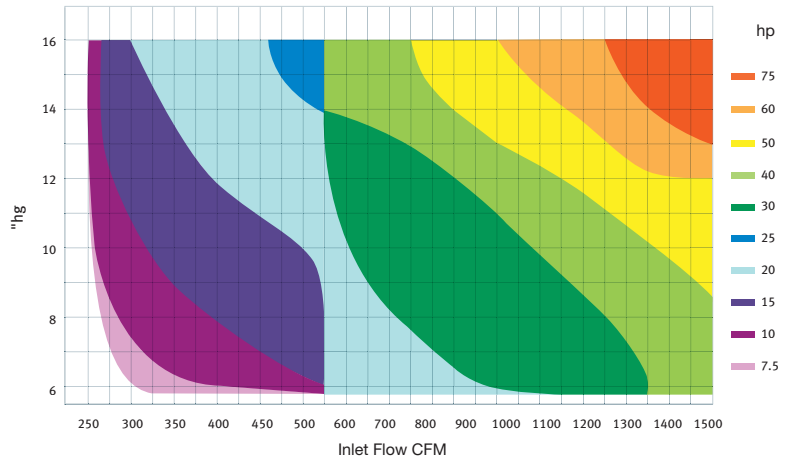
IQ Pressure Package



Dimensions (in inches)

Section	Medium IQ Package	Large IQ Package
A	47.5	60.91
B	39.57	55.69
C	32.38	49.94
D	29	24
E	51	64.52
F	65	86
G	41.76	53.99
H	4	6

IQ Vacuum Package



Medium IQ Package Weight

Type	Max. Weight	
	lbs	kg
Enclosed package	2100	953
Unenclosed package	1300	590

Weights are approximate.

Large IQ Package Weight

Type	Max. Weight	
	lbs	kg
Enclosed package	4200	1905
Unenclosed package	3000	1361

Weights are approximate.

Features

1. Quiet Sound Enclosure

- Sound levels as low as 60 dBA
- Removable and hinged panels provide easy access for maintenance

2. TEFC EISA Motors

- EISA compliant Premium efficiency motors
- Standard 5-year warranty
- Available voltages: 200/3/60, 230/3/60, 460/3/60, 575/3/60, 380/3/50, and 415/3/50

3. Starter Options

- Standard less starter
- Full volt starter
- VFD

4. Removable Discharge Silencer

- Provides minimal pressure drop
- Significantly reduces sound and pulsation
- Available ASME coded silencer



5. Vacuum/Pressure Connections

Medium:

- 4" NPT pressure discharge
- 4.5" ID hose vacuum inlet

Large:

- 6" 150 lb. ANSI flange pressure discharge
- 6" or 8" ID hose vacuum inlet

6. Pre-Mounted Valves

- Relief and check valves standard
- Unloaded start valve available

7. Enclosure Cooling Fan

- Removes hot air from enclosure
- Can operate even when blower is not



Installations



Aftermarket Parts & Optional Equipment

Optional Equipment



Oil level sensors and oil temp sensors



Variable frequency drive

Additional Options:

- EMC Filter
- Line Reactors
- Full Voltage Starter
- AirSmart Controller Communication Module

Genuine Gardner Denver Parts & Lubricants

All Gardner Denver IQ packages are initially shipped with AEON® PD-XD, the only lubricant specially formulated for all blowers in any environment.

Also available:

- AEON® PD-FG (Food Grade)
- AEON® PD

Service & Support

Gardner Denver's extensive distributor network provides fast access to genuine Gardner Denver replacement parts and lubricants and 24 hour service support from factory certified technicians.



WHAT CAN IQ DO FOR

YOU?

Smart made simple with total control at your fingertip



For an interactive presentation on the IQ Blower Package,
scan the QR code or visit:

<http://www.iqblower.com>



C. Emery Nelson, Inc.
INDUSTRIAL AND POWER PLANT EQUIPMENT

7631 Commerce Street, Hamel, MN 55340
Ph: 763/420-3844 Fax: 763/420-2542

**Gardner
Denver®**

www.GardnerDenverProducts.com

Gardner Denver, Inc. 1800 Gardner Expressway, Quincy, IL 62305
www.contactgd.com/blowers
866-428-4890



©2013 Gardner Denver, Inc. Printed in U.S.A. PD-IQ-FAM 5th Ed. 5/13



Please recycle after use.